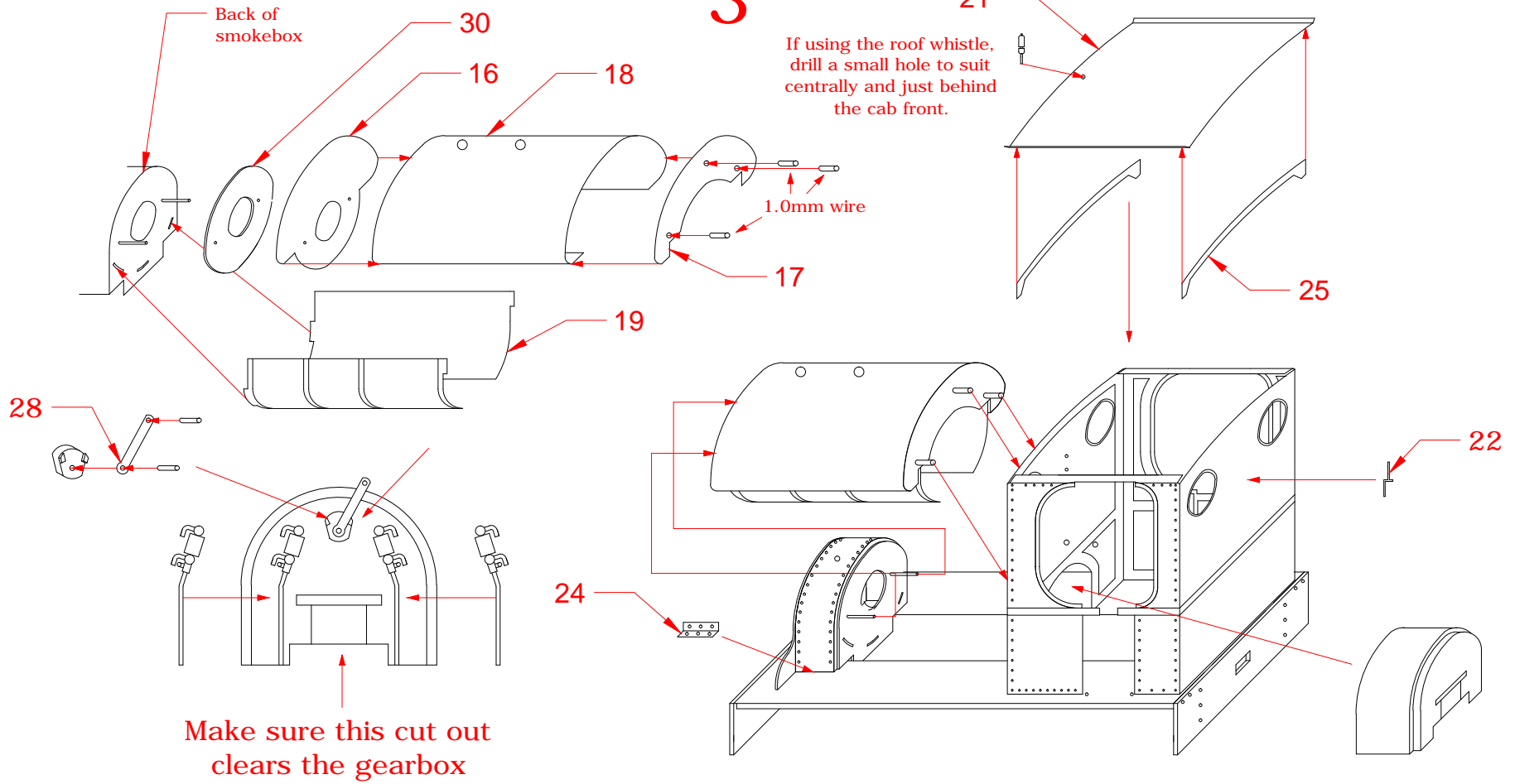


Remove joining pieces  
after cab frame is fitted

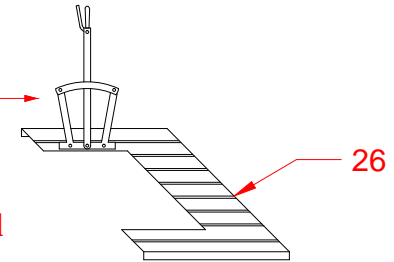
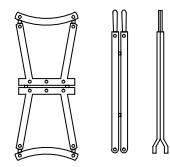
# 3



Fit lubricator to rear of chimney, shape pipe accordingly and fit hand wheels after fitting chimney

4

Fold frame 26 double and fold out top guides



22 folded as shown to form a lamp iron. The one on the cab rear is the same.

2 x 23, form a fork at the handle end

Fold lever 27 double and form fork at the bottom, 0.5mm wire for catch

Filler cap

28

Cast sand boxes, 2 types, with filler caps and levers fitted

0.5mm wire to the hole in the cab front

Glue sand boxes to smokebox before fitting the smaller parts

Sand pipes from 0.7mm wire routed as shown on the drawing

Blower pipe from 0.5 copper wire, the rear tucks behind the tank support.

Fold early type sand boxes 29 and fit trim, solder to footplate.

20

Cab steps 22, fold as shown and fit under footplate, cannot be used on 16.5mm locos

Cab hand rails, wrap the waist height strip around 0.5mm wire

27

31

